



Installation instructions, accessories

Volvo Car Corporation Gothenburg, Sweden

Instruction No	Version	Part. No.
31399091	1.0	31339994

Parking assistance, camera, front. For Sensus Connect.



IMG-374543



Installation instructions, accessories

Volvo Car Corporation Gothenburg, Sweden


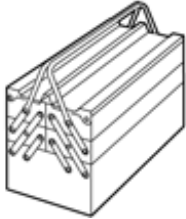



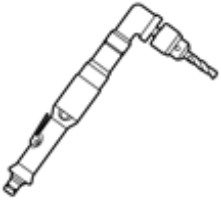
Special tools

	951 2932 Tension spring Tool number:951 2932 Tool description:Tension spring Tool boards:80
	999 7482 Cutting tool Tool number:999 7482 Tool description:Cutting tool Tool boards:30

Materials

Designation	Part number
Low temperature grease	1161427

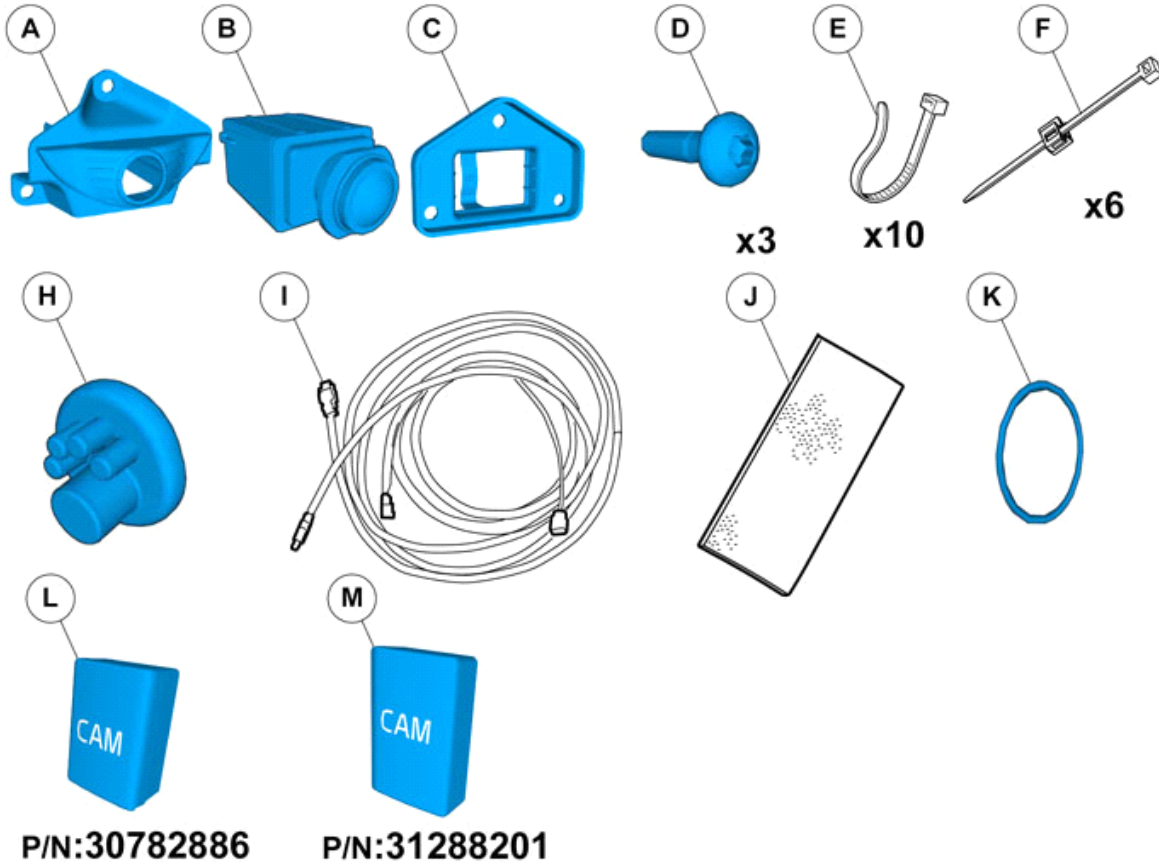
Equipment

 IMG-242205	 IMG-345497	 IMG-300203	 IMG-239667	 IMG-244945	 IMG-240675
---	---	---	--	---	---



Installation instructions, accessories

Volvo Car Corporation Gothenburg, Sweden



IMG-380917



Installation instructions, accessories

Volvo Car Corporation Gothenburg, Sweden

Information

1

Read through all of the instructions before starting installation.

Notifications and warning texts are for your safety and to minimise the risk of something breaking during installation.

Ensure that all tools stated in the instructions are available before starting installation.

Certain steps in the instructions are only presented in the form of images. Explanatory text is also given for more complicated steps.

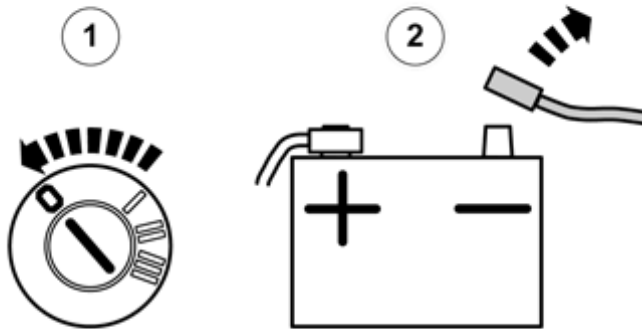
In the event of any problems with the instructions or the accessory, contact your local Volvo dealer.

Conditions

2

Set the ignition key to position 0.

Remove the battery's negative cable.



IMG-332179

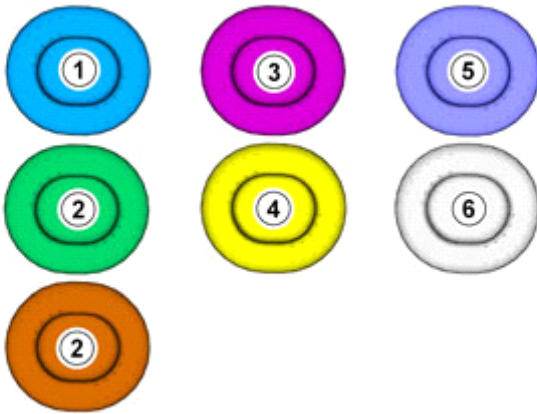
Color symbols



Installation instructions, accessories

Volvo Car Corporation Gothenburg, Sweden

3



IMG-363036

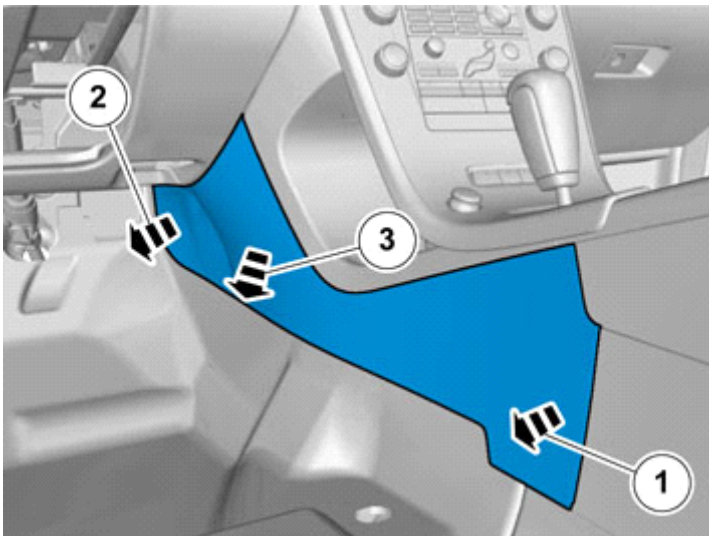
Note!

This colour chart displays (in colour print and electronic version) the importance of the different colours used in the images of the method steps.

1. Used for focused component, the component with which you will do something.
2. Used as extra colors when you need to show or differentiate additional parts.
3. Used for attachments that are to be removed/installed. May be screws, clips, connectors, etc.
4. Used when the component is not fully removed from the vehicle but only hung to the side.
5. Used for standard tools and special tools.
6. Used as background color for vehicle components.

Removal

4



IMG-292804

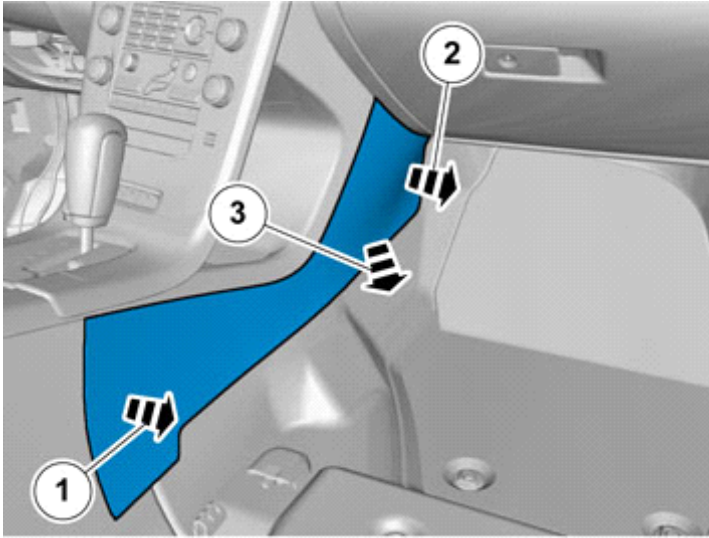
Remove the panel.



Installation instructions, accessories

Volvo Car Corporation Gothenburg, Sweden

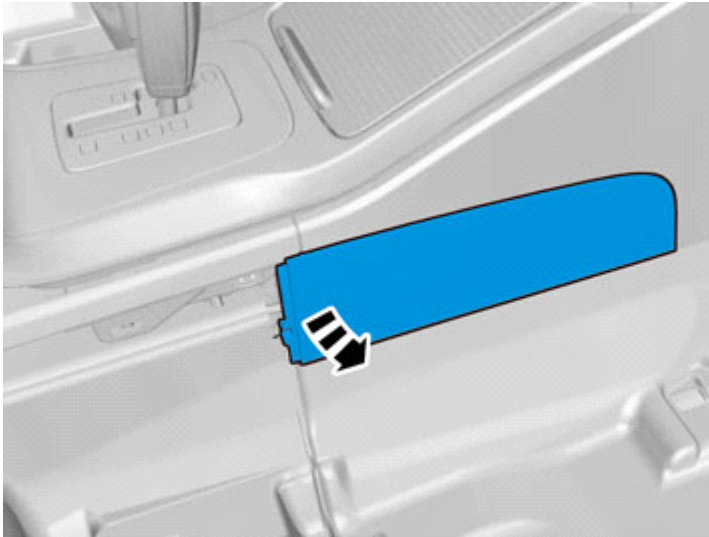
5



IMG-292826

Remove the panel.

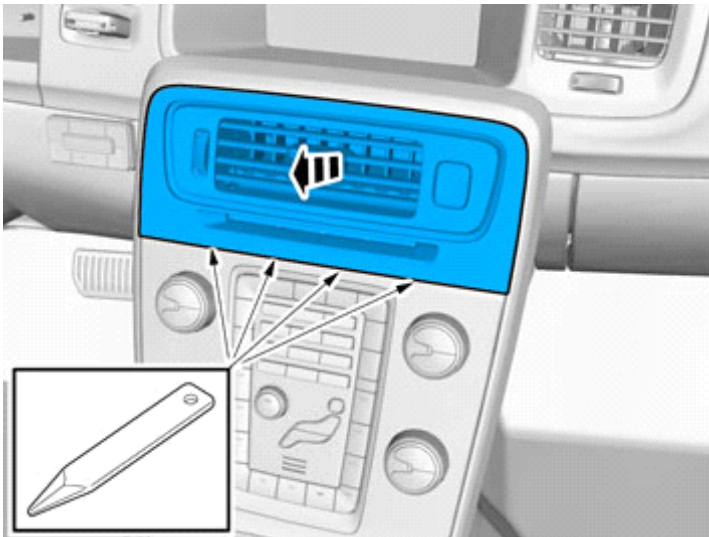
6



IMG-346036

Remove the panel.

7



IMG-345113

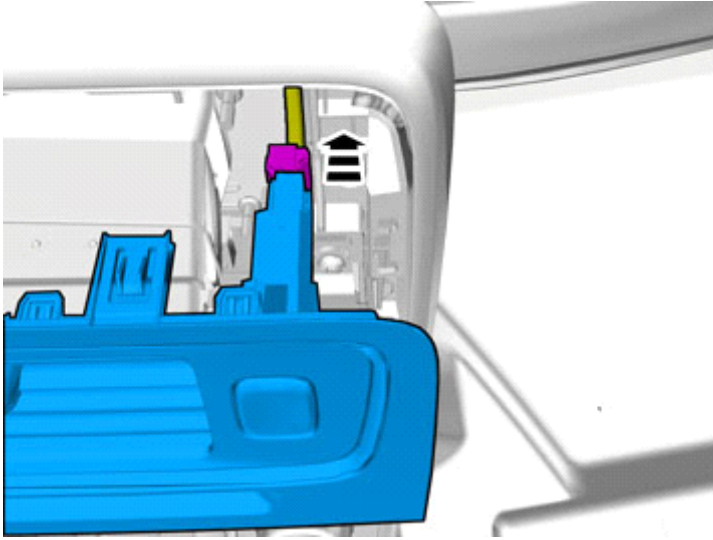
Carefully pry loose the bottom edge of the panel and then continue around the panel.



Installation instructions, accessories

Volvo Car Corporation Gothenburg, Sweden

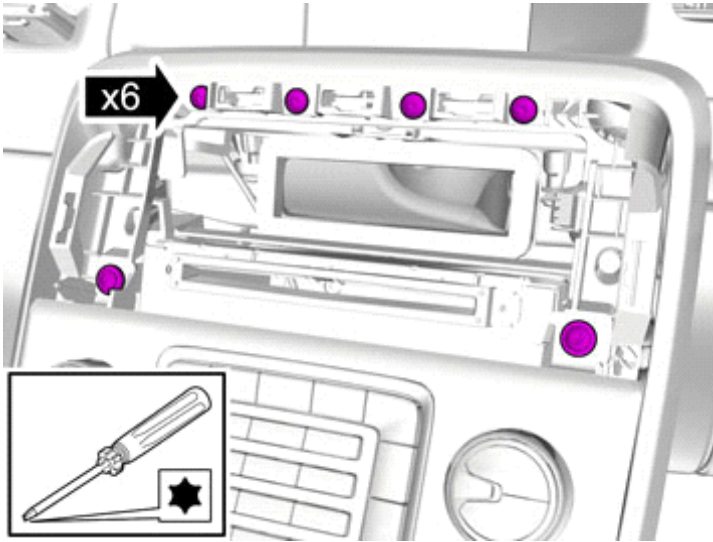
8



IMG-340590

Disconnect the connector.

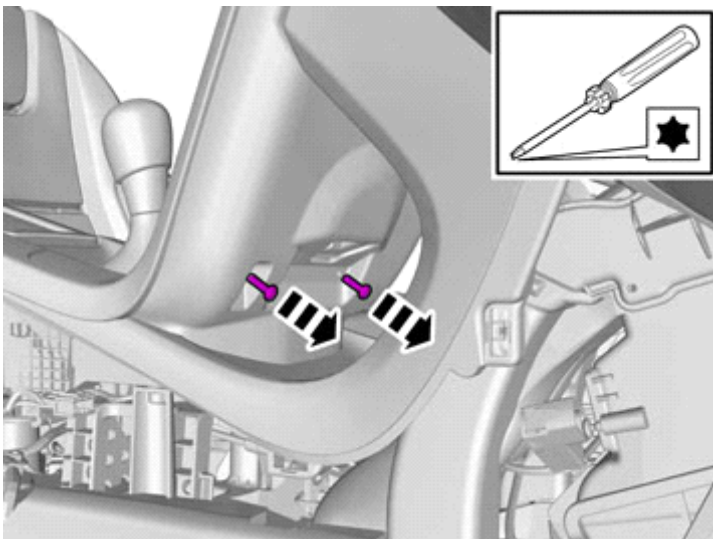
9



IMG-340985

Remove the screws.

10



IMG-340987

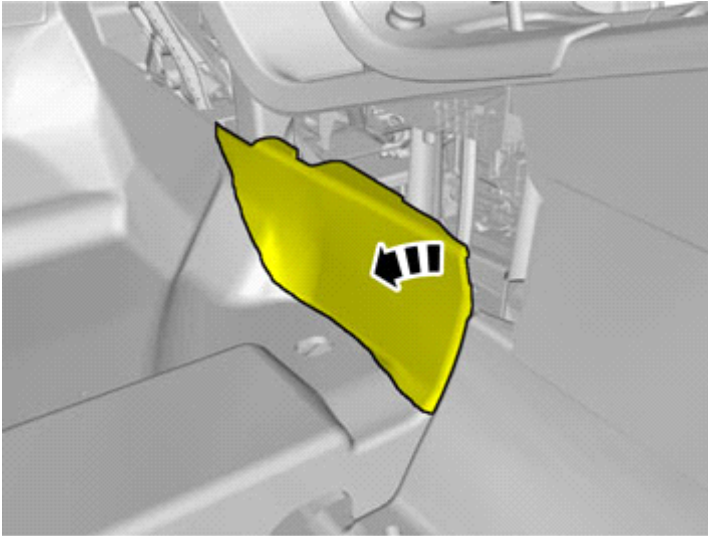
Remove the screws.



Installation instructions, accessories

Volvo Car Corporation Gothenburg, Sweden

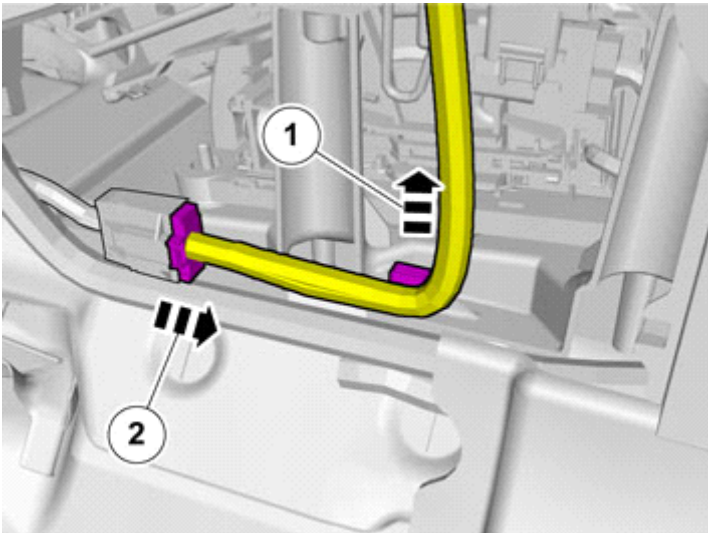
11



IMG-292806

Fold the carpet to the side.

12



IMG-292823

Remove the cable harness clips.

Disconnect the connector.

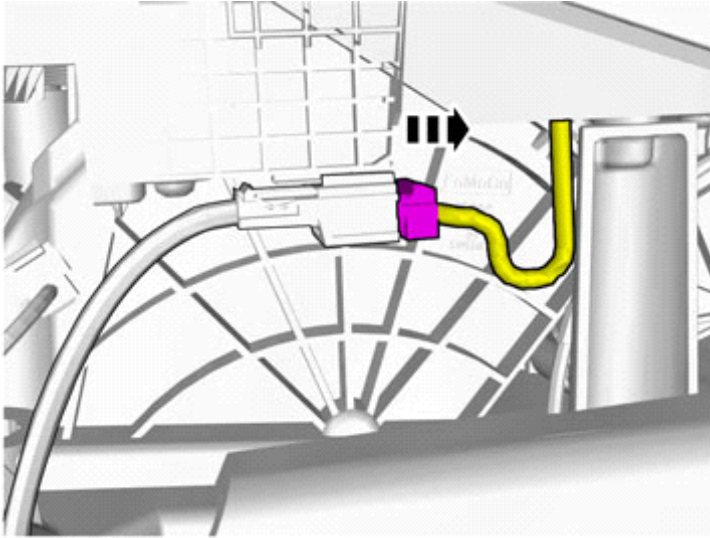
Vehicles with the 4C system.



Installation instructions, accessories

Volvo Car Corporation Gothenburg, Sweden

13

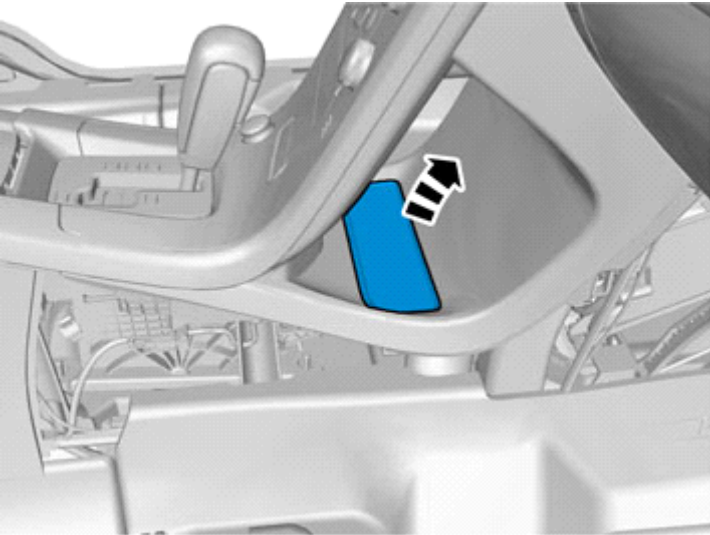


IMG-292827

Disconnect the connector.

Cars with automatic transmissions

14



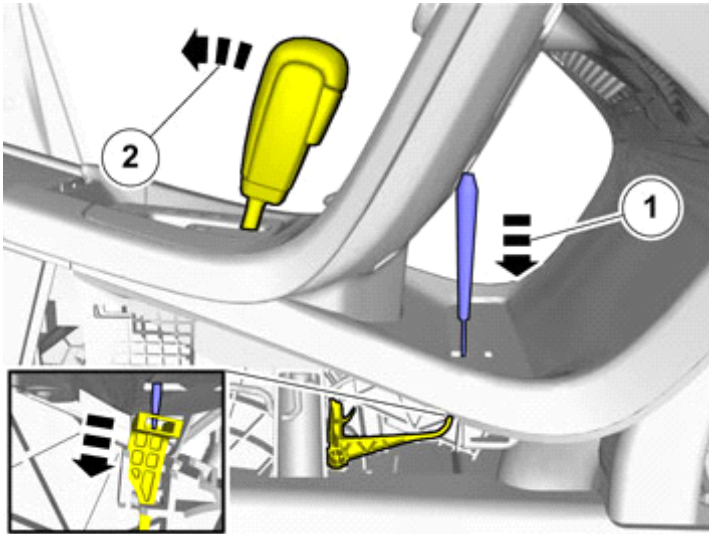
IMG-293006



Installation instructions, accessories

Volvo Car Corporation Gothenburg, Sweden

15

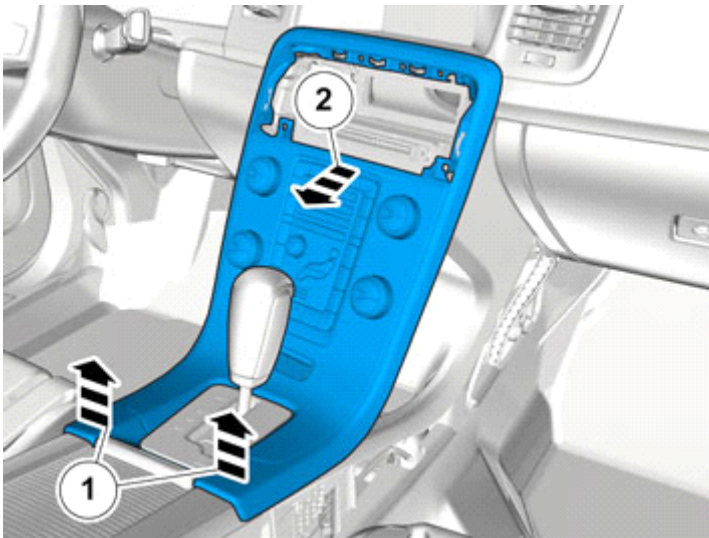


IMG-293007

Release the shift-lock function.

All vehicles

16



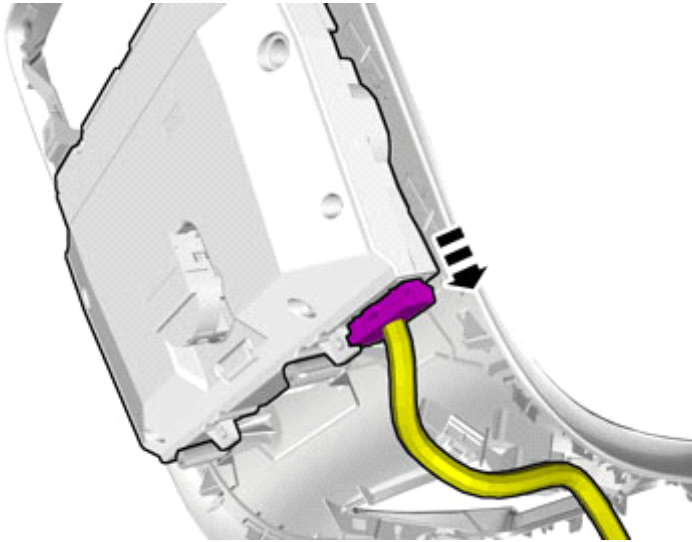
IMG-340981



Installation instructions, accessories

Volvo Car Corporation Gothenburg, Sweden

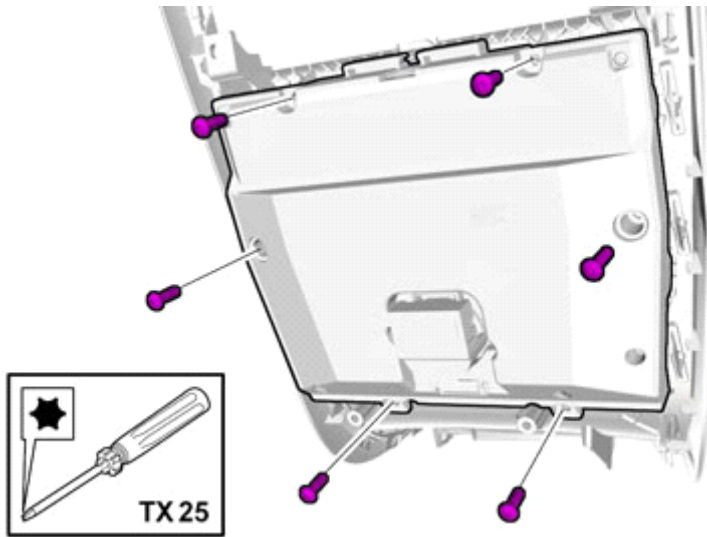
17



Disconnect the connector.

IMG-340604

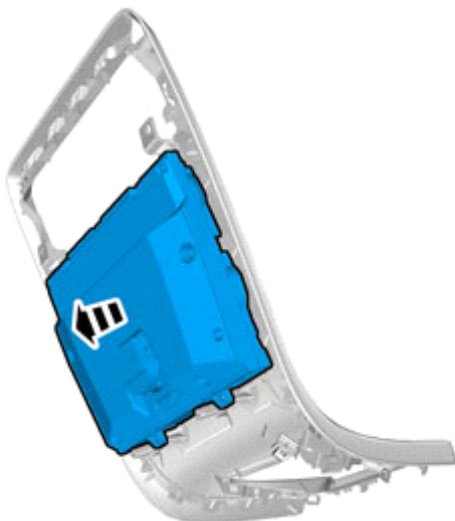
18



Remove the screws.

IMG-340605

19



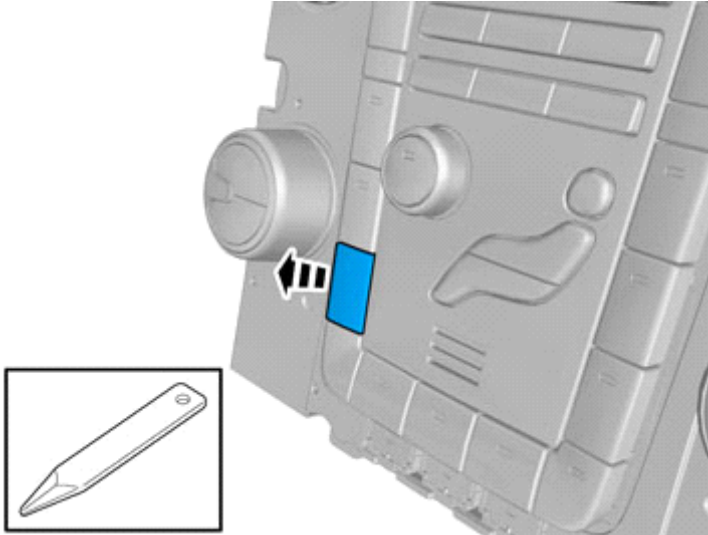
IMG-340607



Installation instructions, accessories

Volvo Car Corporation Gothenburg, Sweden

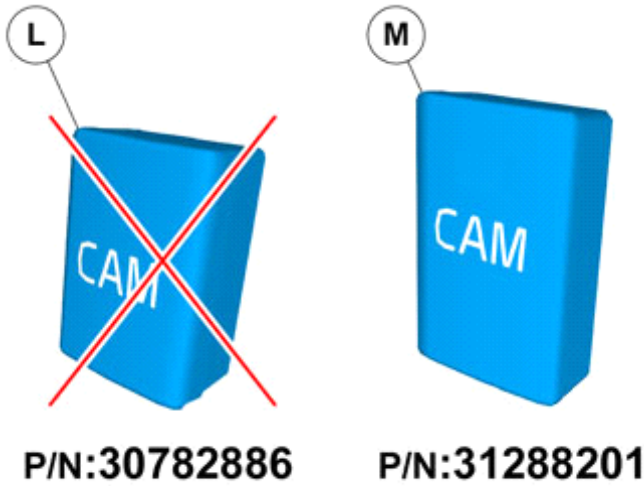
20



IMG-380815

Accessory installation

21



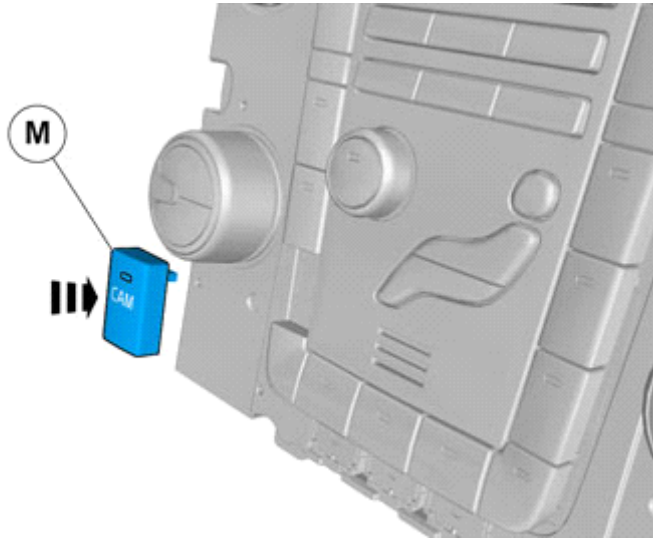
IMG-380819



Installation instructions, accessories

Volvo Car Corporation Gothenburg, Sweden

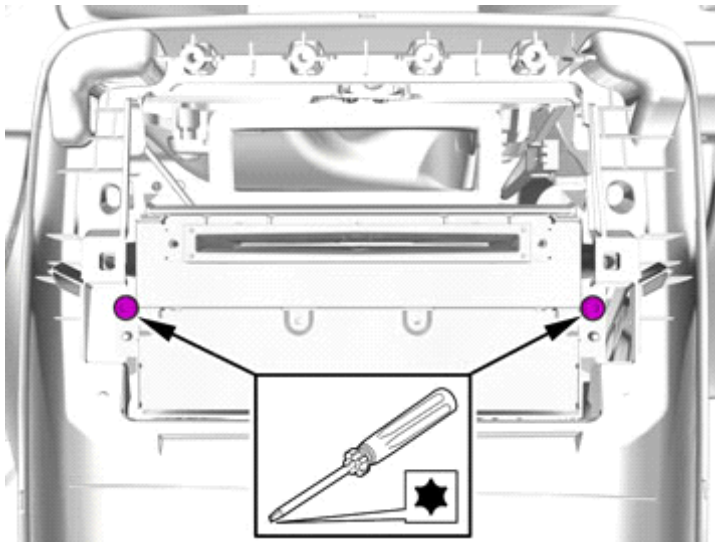
22



IMG-380816

Removal

23



IMG-340988

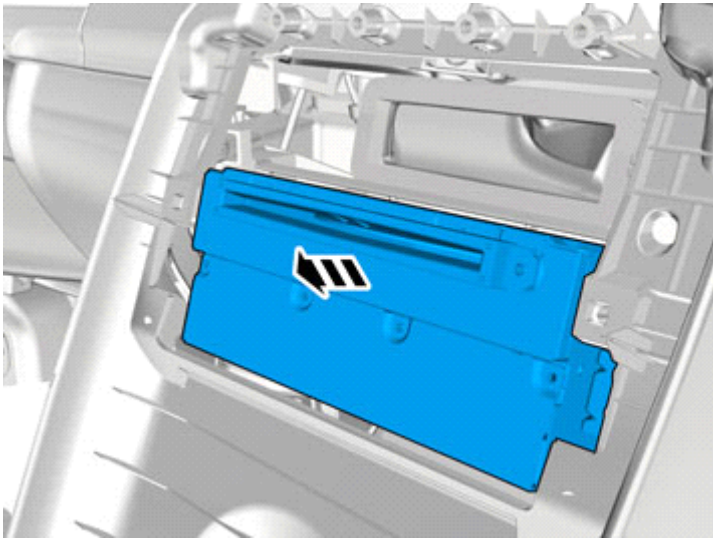
Remove the screws.



Installation instructions, accessories

Volvo Car Corporation Gothenburg, Sweden

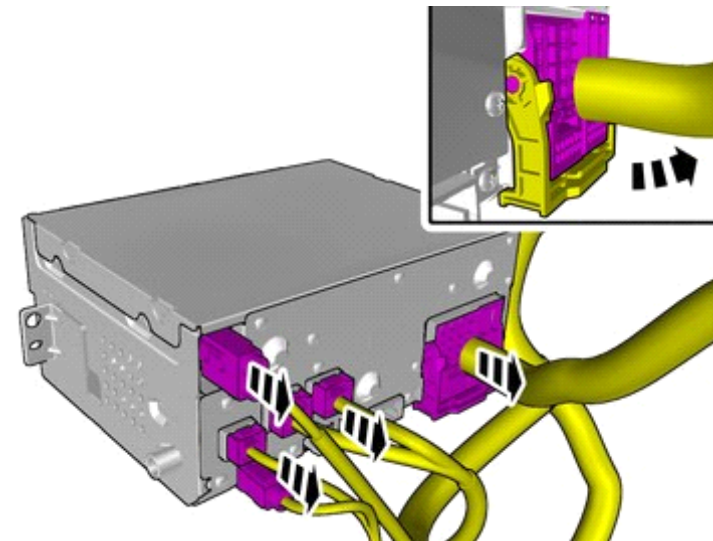
24



IMG-340989

Remove the part carefully

25



IMG-380933

Disconnect the connectors.

26



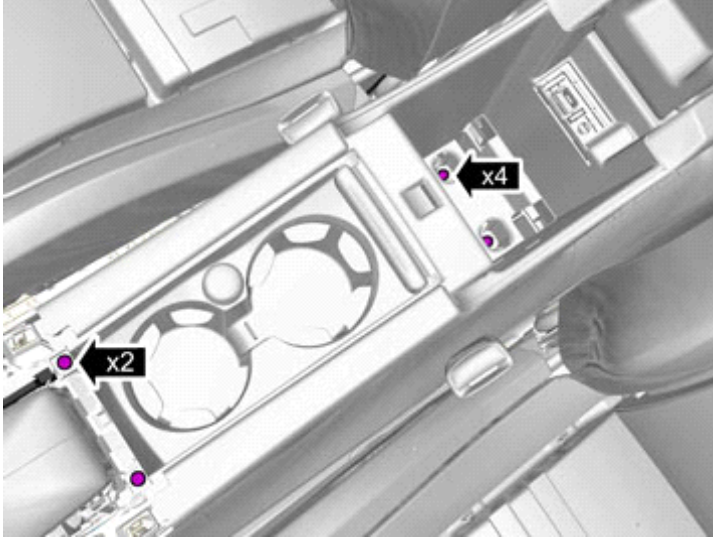
IMG-374439



Installation instructions, accessories

Volvo Car Corporation Gothenburg, Sweden

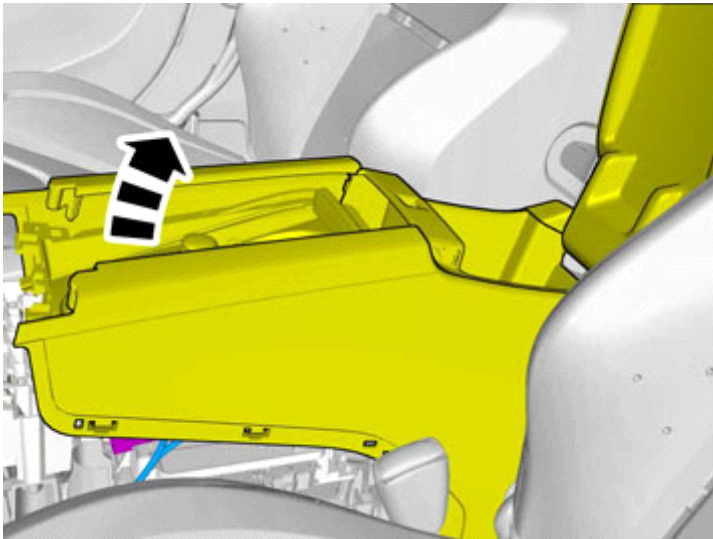
27



IMG-374438

Remove the screws.

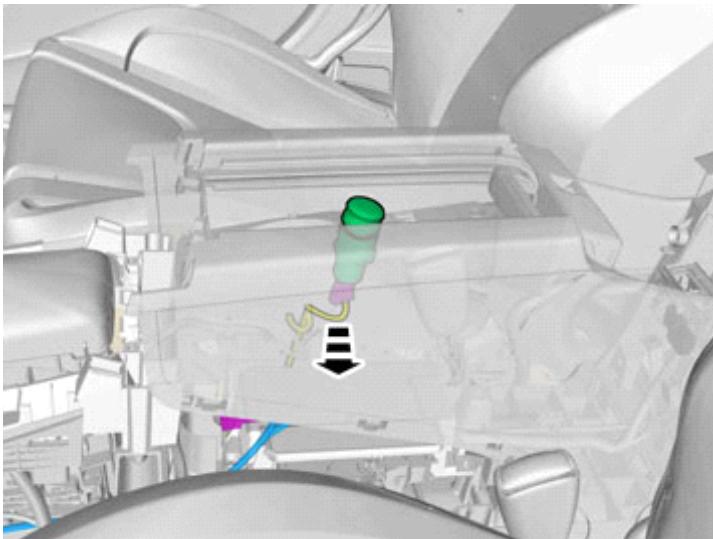
28



IMG-374497

Detach the panel.

29



IMG-374495

Disconnect the connector.



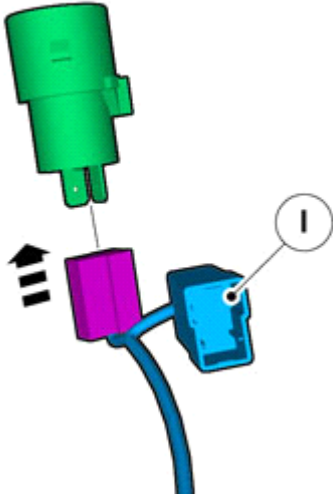
Installation instructions, accessories

Volvo Car Corporation Gothenburg, Sweden

Accessory installation

30

Install component that comes with the accessory kit.

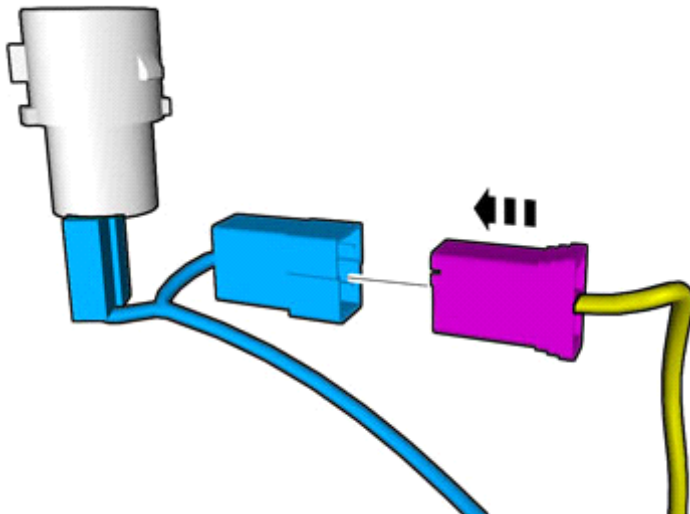


IMG-374547

31

Locate the existing connector in the vehicle's cable harness.

Connect the connector.



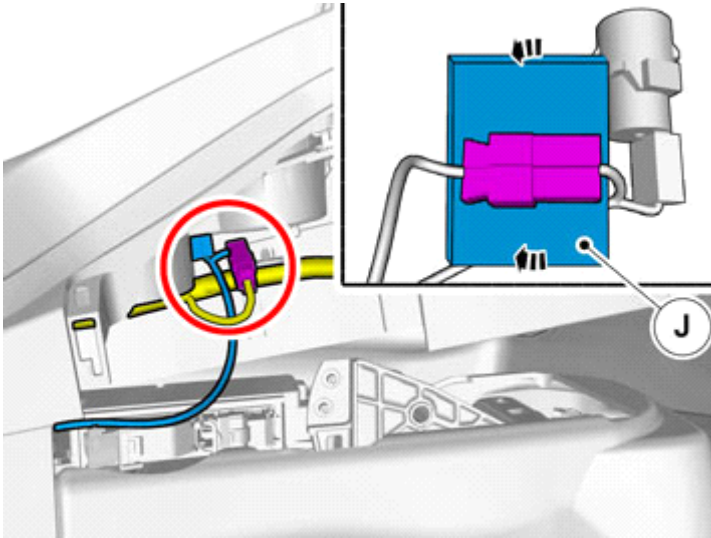
IMG-362040



Installation instructions, accessories

Volvo Car Corporation Gothenburg, Sweden

32

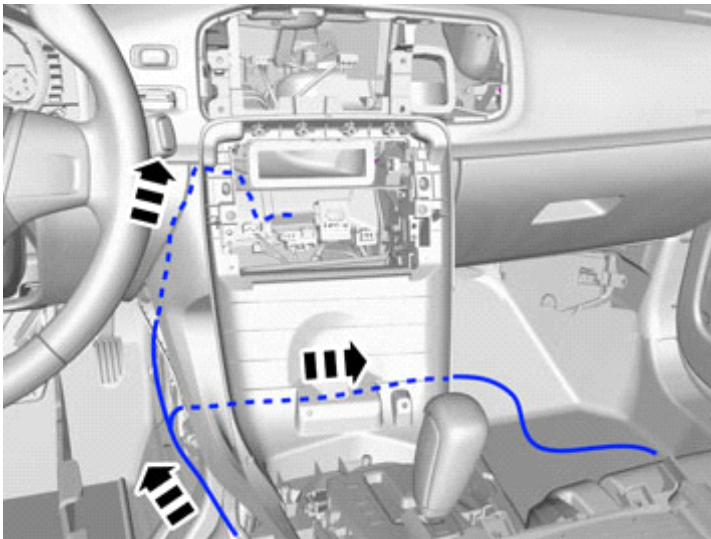


IMG-374510

Tear off the excess foam tape.

Clamp the cables and connectors to the existing cables to prevent noise.

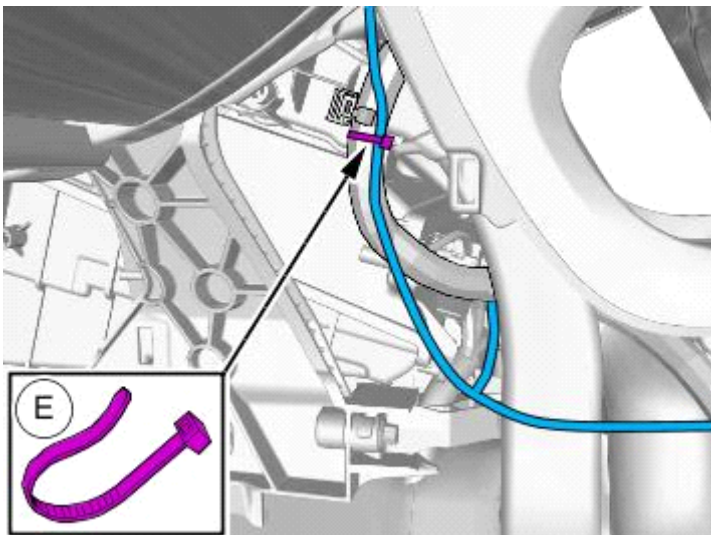
33



IMG-380923

Pull the wiring through.

34



IMG-380925

Install the clips as illustrated.

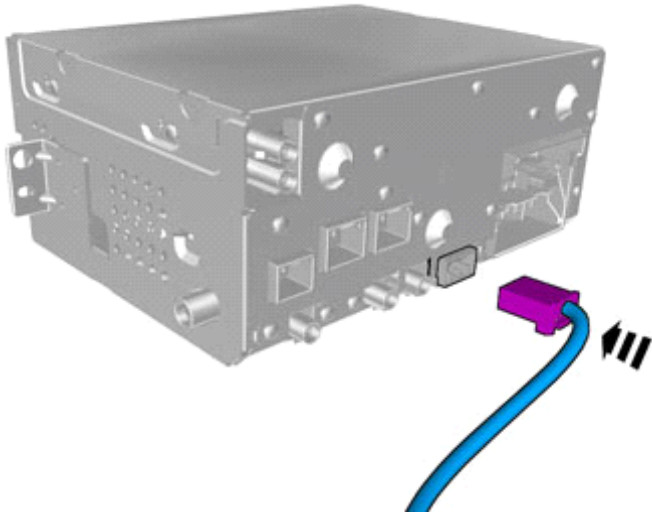


Installation instructions, accessories

Volvo Car Corporation Gothenburg, Sweden

35

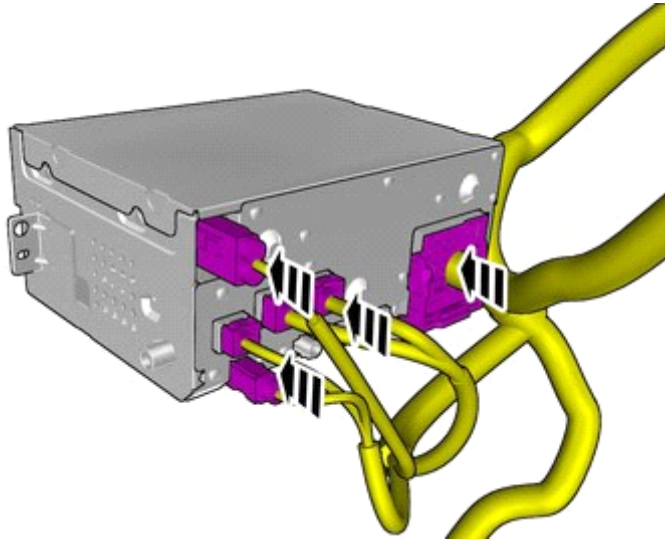
Connect the prerouted cable.



IMG-380941

36

Connect the connectors.



IMG-380943

37

Reinstall the removed parts in reverse order.

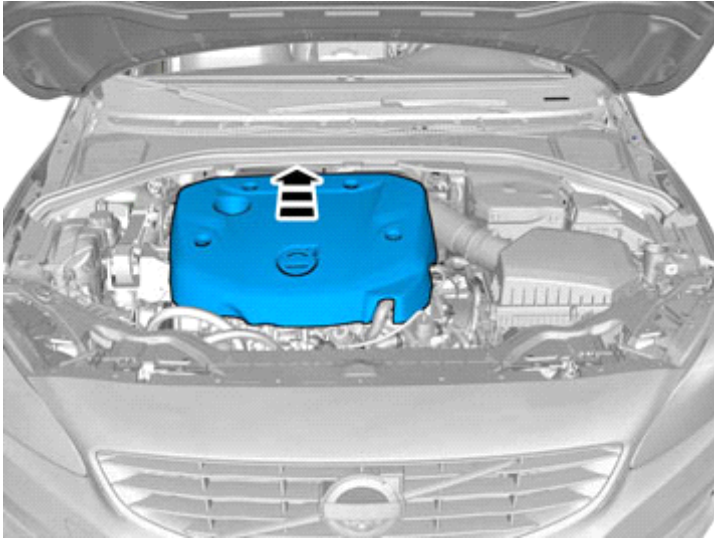
Removal



Installation instructions, accessories

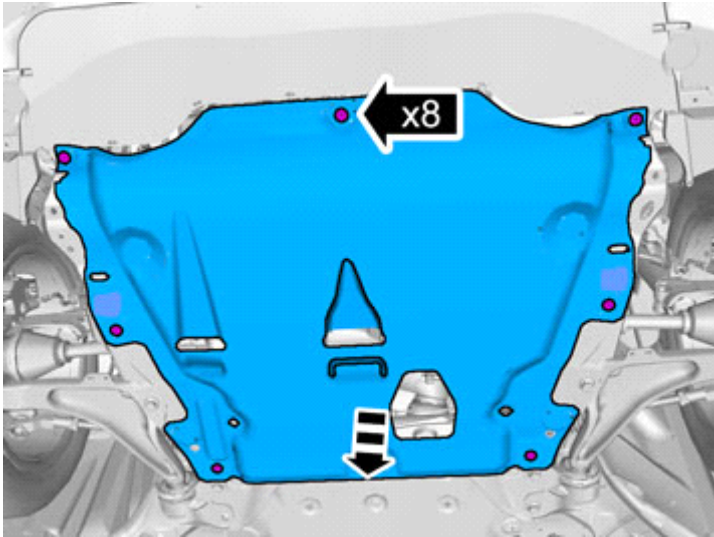
Volvo Car Corporation Gothenburg, Sweden

38



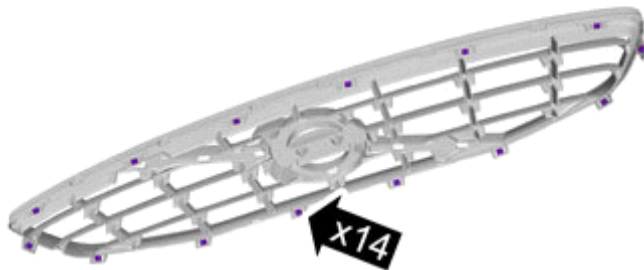
IMG-374244

39



IMG-340576

40



IMG-340547

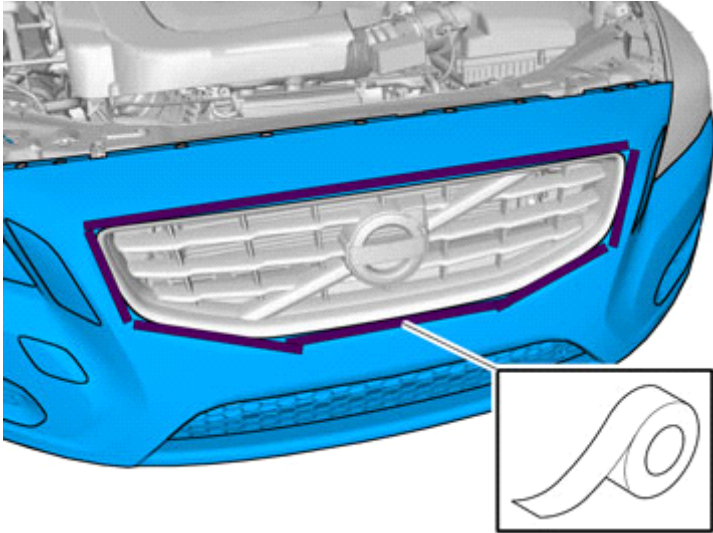
Note!
Orientation view



Installation instructions, accessories

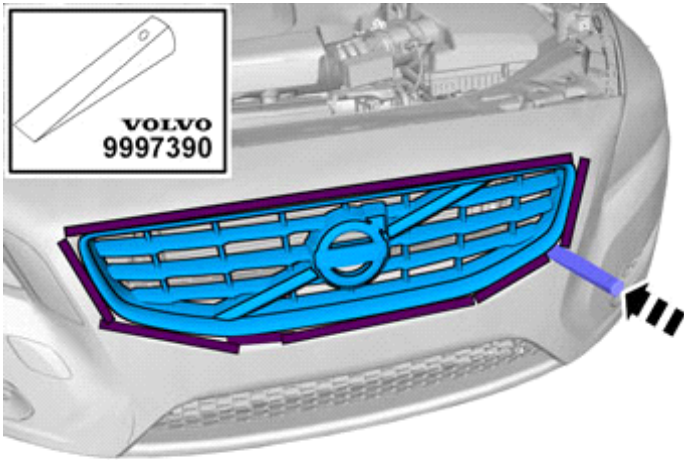
Volvo Car Corporation Gothenburg, Sweden

41



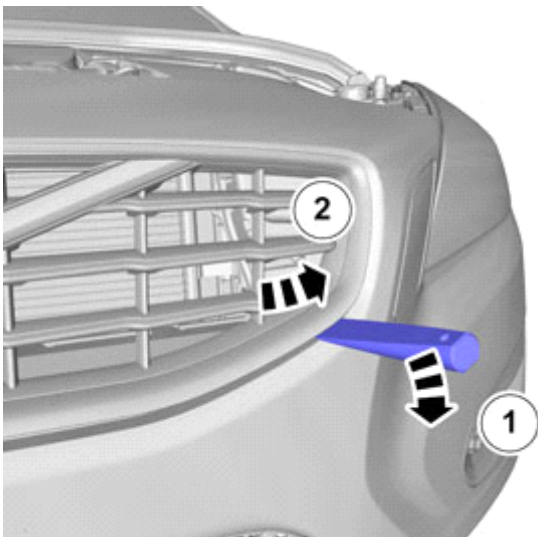
IMG-340581

42



IMG-340552

43



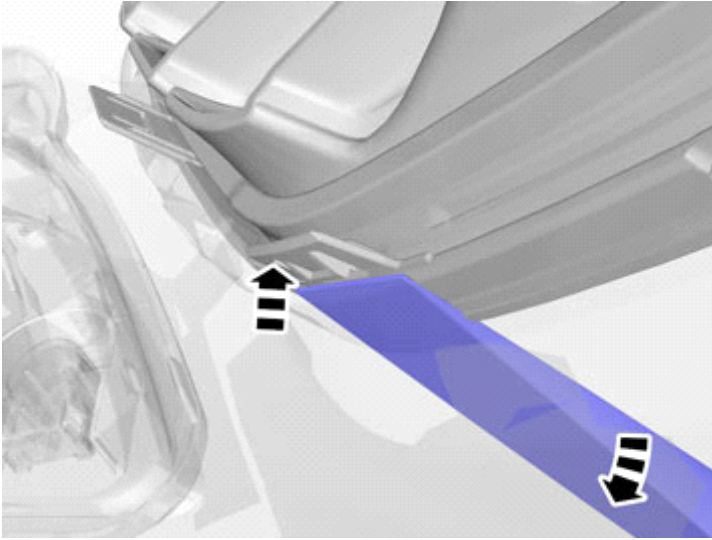
IMG-340528



Installation instructions, accessories

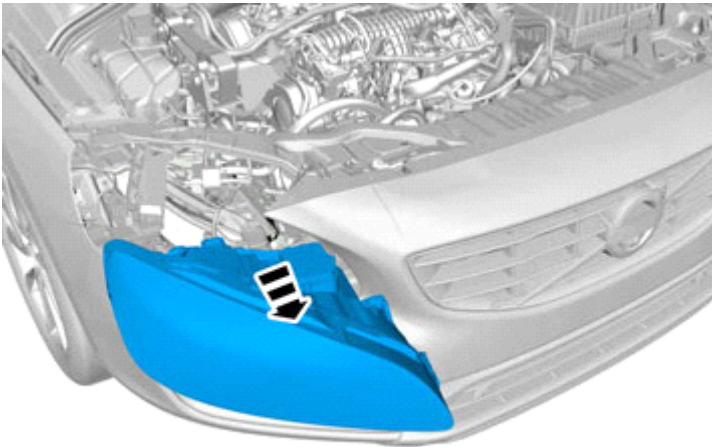
Volvo Car Corporation Gothenburg, Sweden

44



IMG-340524

45



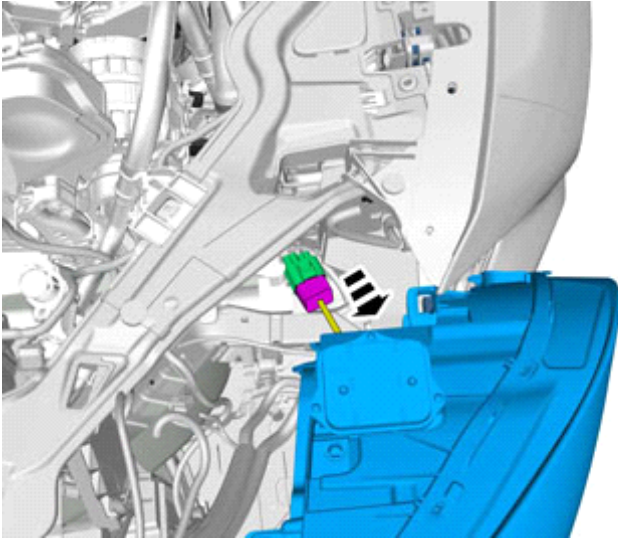
IMG-374266



Installation instructions, accessories

Volvo Car Corporation Gothenburg, Sweden

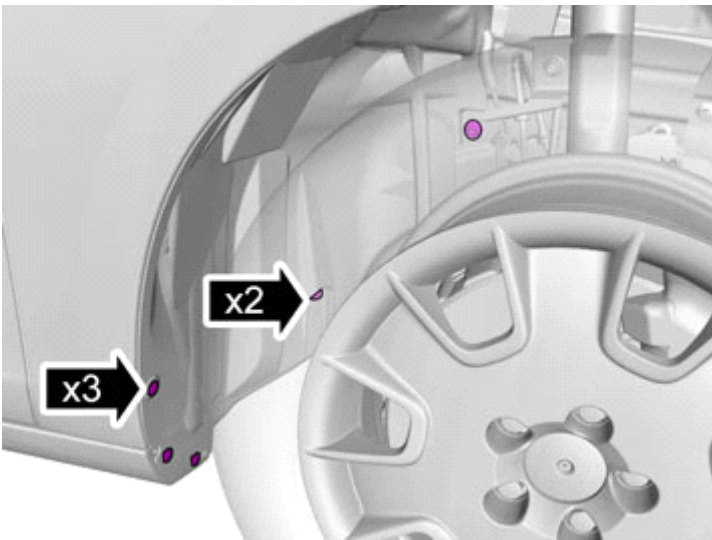
46



IMG-374267

Vehicles with 5-cyl engines

47



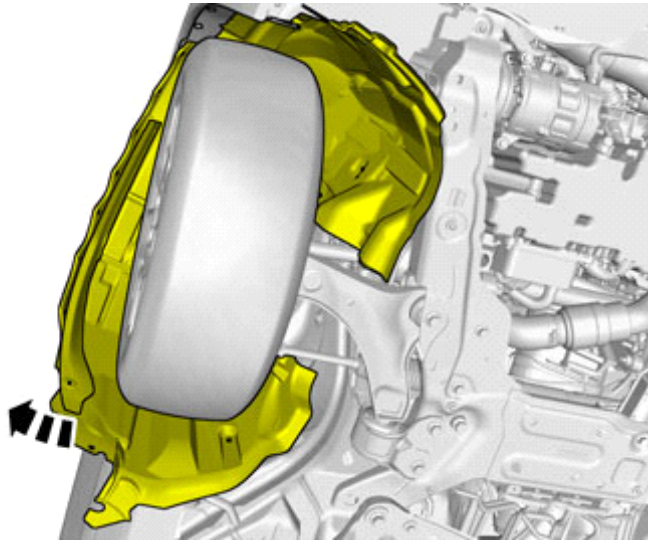
IMG-345234



Installation instructions, accessories

Volvo Car Corporation Gothenburg, Sweden

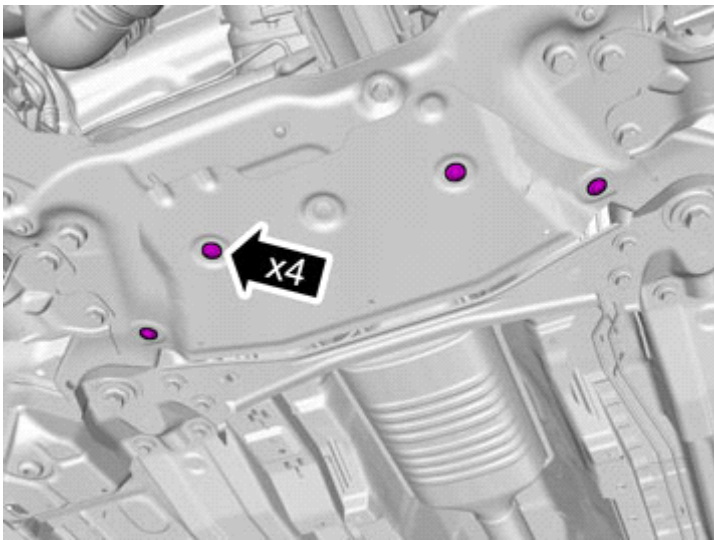
48



IMG-345235

All vehicles

49



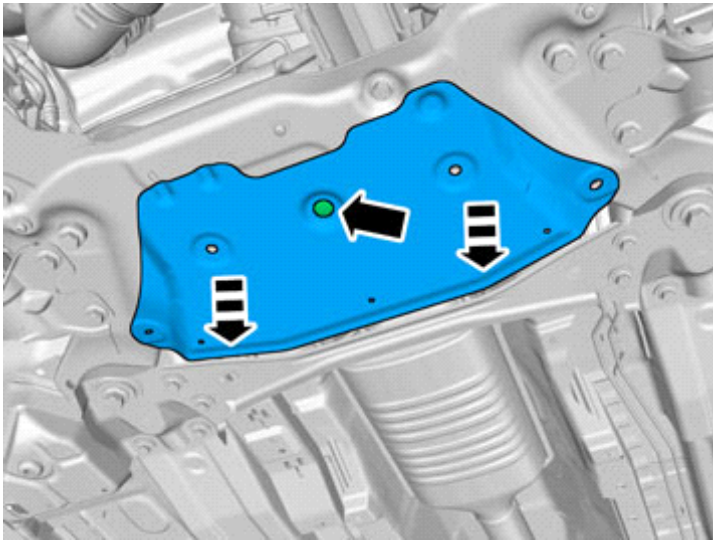
IMG-345236



Installation instructions, accessories

Volvo Car Corporation Gothenburg, Sweden

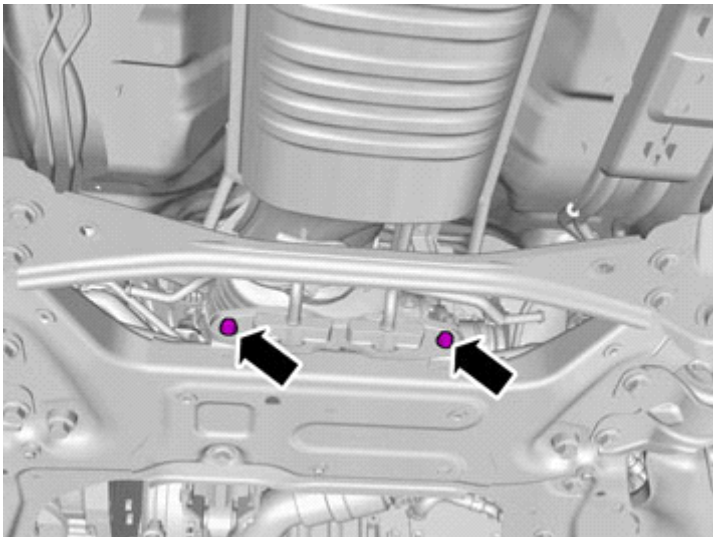
50



IMG-345397

Remove the panel.

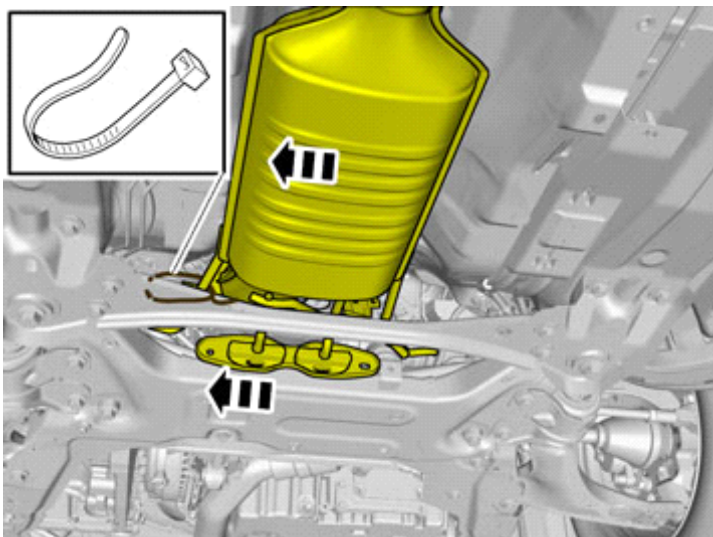
51



IMG-345237

Remove the screws.

52



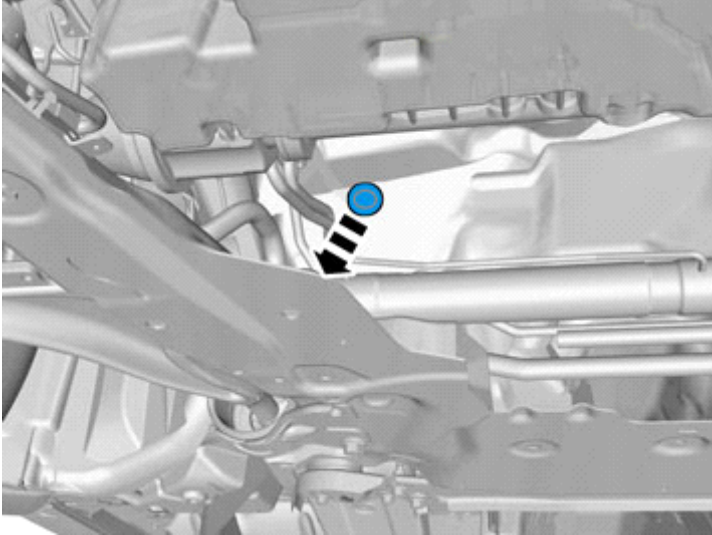
IMG-345238



Installation instructions, accessories

Volvo Car Corporation Gothenburg, Sweden

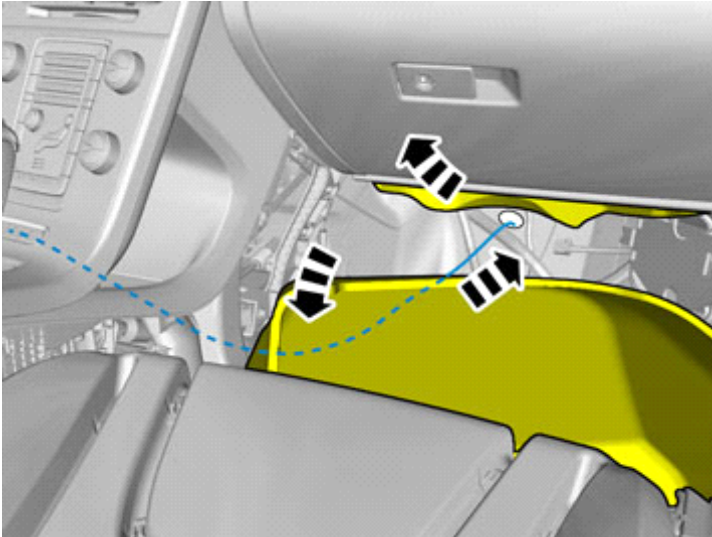
53



IMG-340716

Locate the rubber grommet under the insulating mat.

54

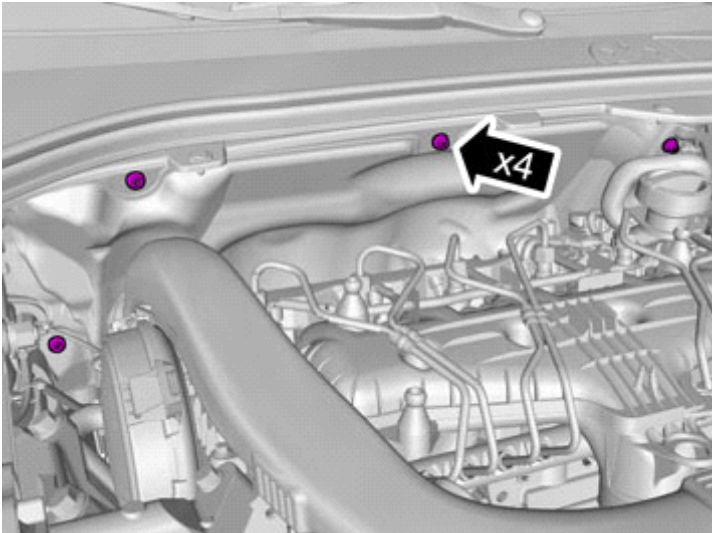


IMG-374511

Fold the floor carpet back.

Pull the wiring through.

55



IMG-345239

Remove the clips.

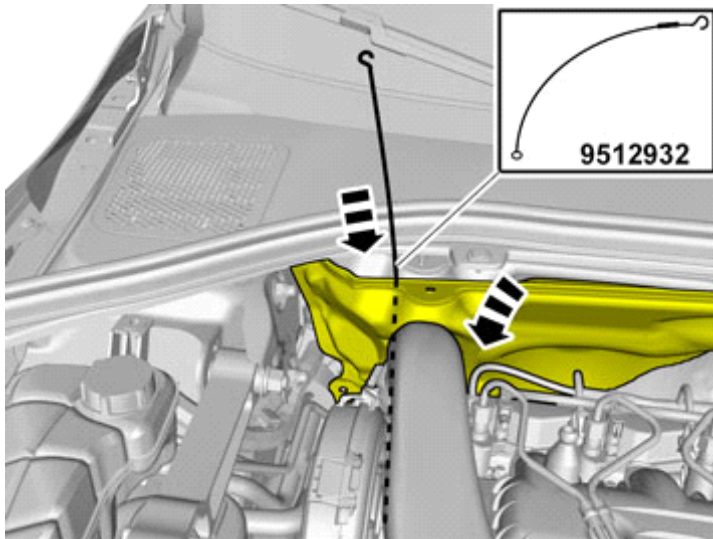


Installation instructions, accessories

Volvo Car Corporation Gothenburg, Sweden

Accessory installation

56

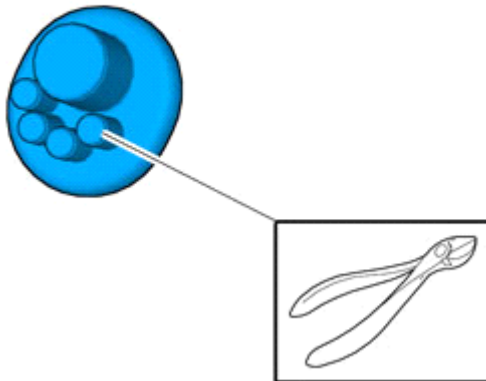


IMG-340606

Fold the insulation to one side.

Use special tool: T9512932, Tension spring

57



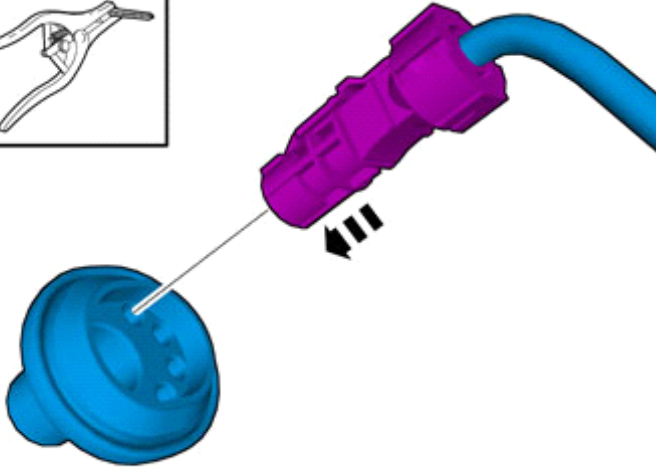
IMG-340721



Installation instructions, accessories

Volvo Car Corporation Gothenburg, Sweden

58

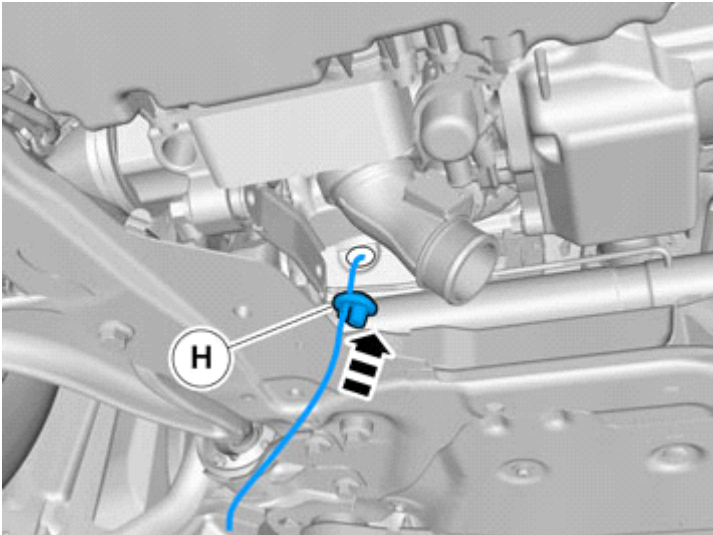


Use: Expander pliers

Use: 1161427, Low temperature grease

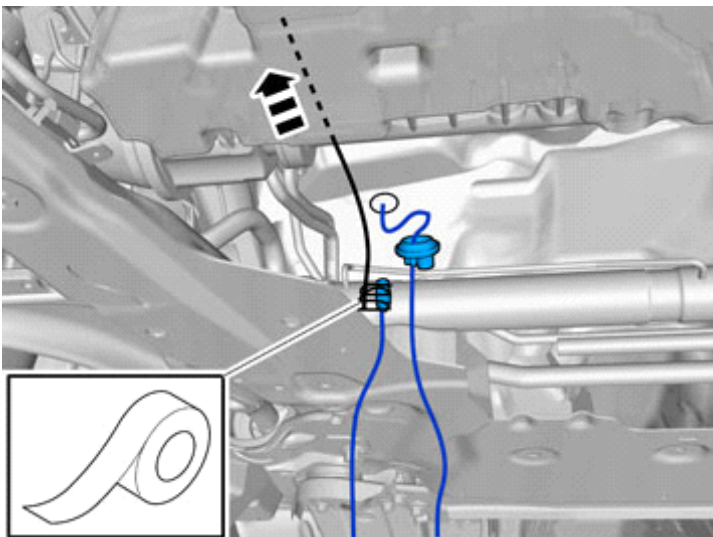
IMG-353681

59



IMG-374512

60



IMG-340726

Use special tool: T9512932, Tension spring

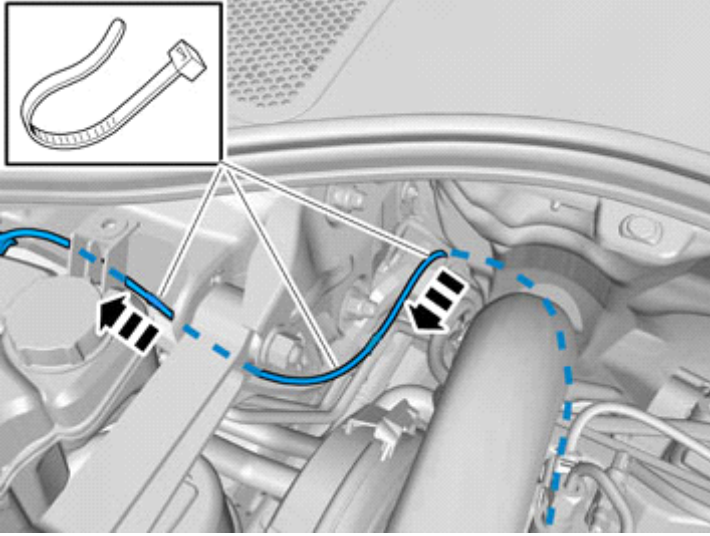
Pull the wiring through.



Installation instructions, accessories

Volvo Car Corporation Gothenburg, Sweden

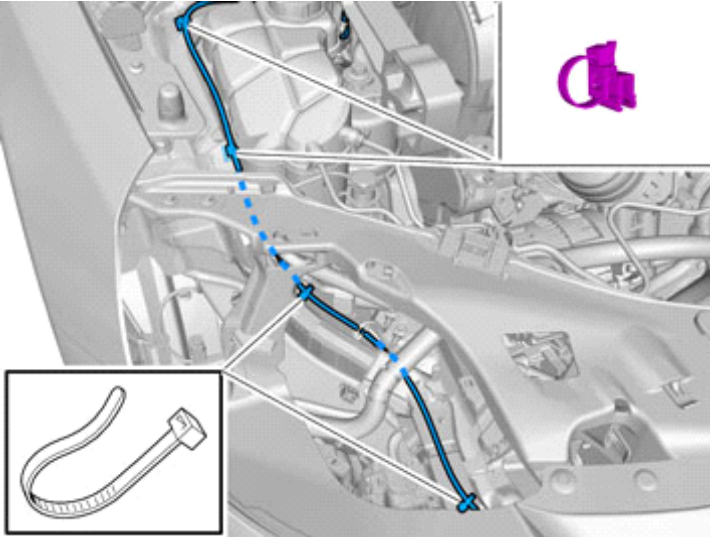
61



IMG-374513

Route the cable harness to the existing cable harness.

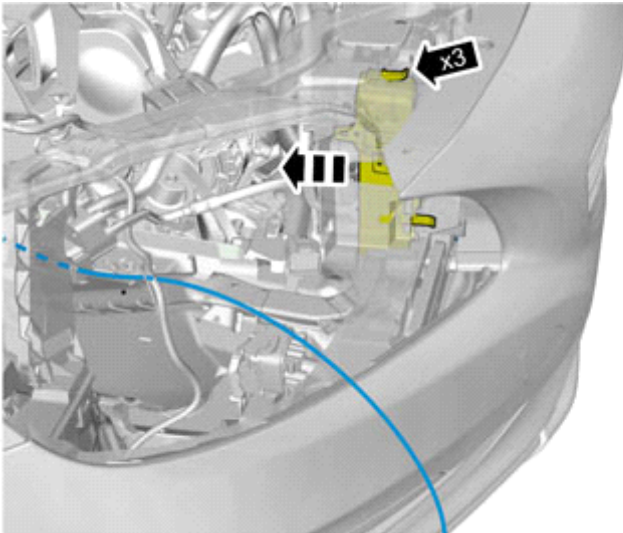
62



IMG-340539

Route the cable harness to the existing cable harness.

63



IMG-374322

Remove the panel.

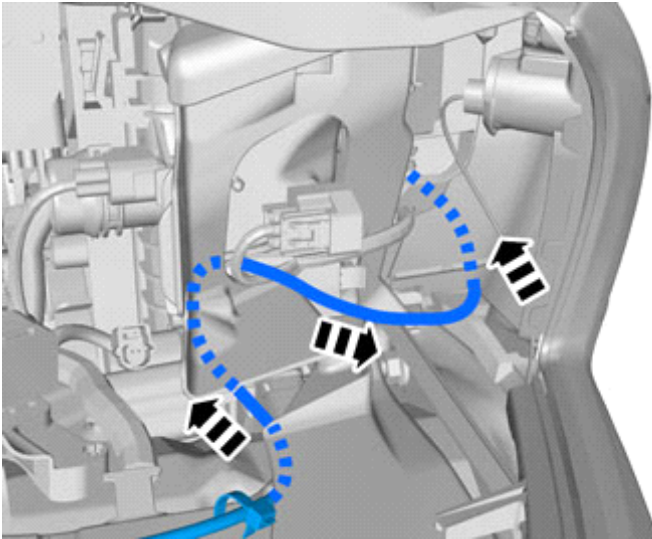


Installation instructions, accessories

Volvo Car Corporation Gothenburg, Sweden

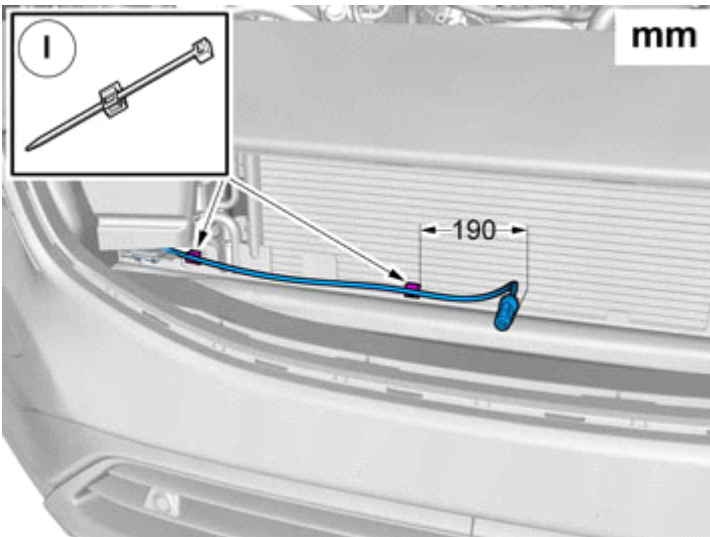
Vehicles without Active Grille Shutter

64



IMG-340538

65



IMG-374341

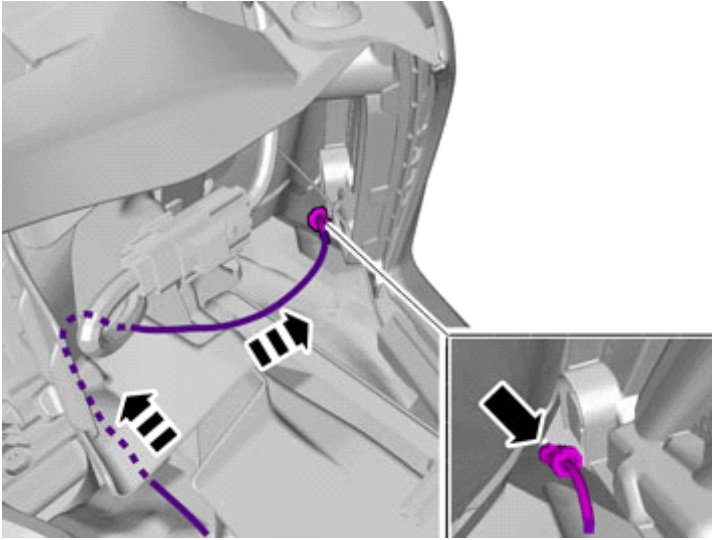
Vehicles with Active Grille Shutter



Installation instructions, accessories

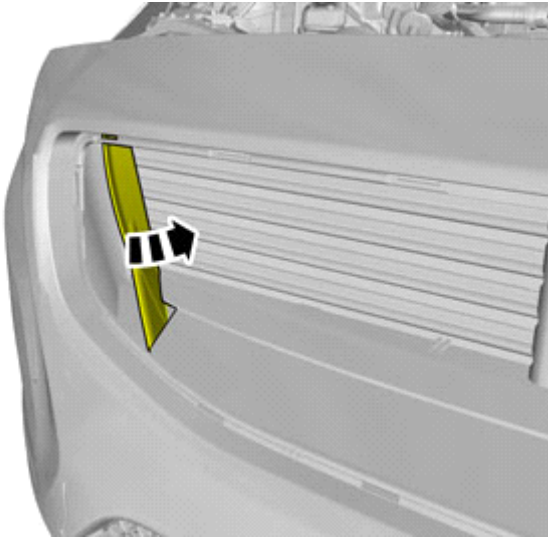
Volvo Car Corporation Gothenburg, Sweden

66



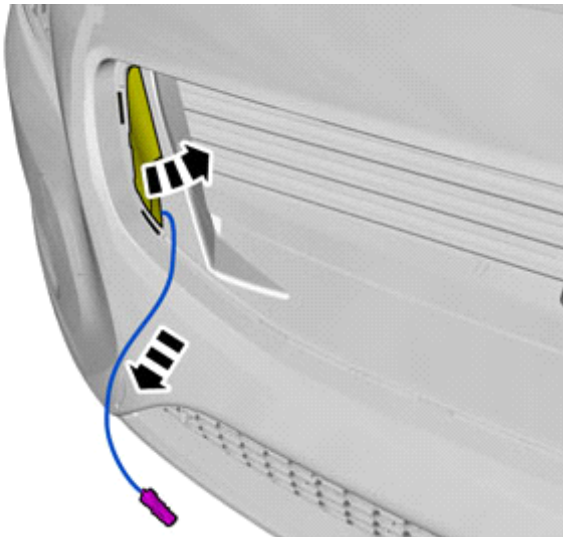
IMG-340733

67



IMG-340611

68



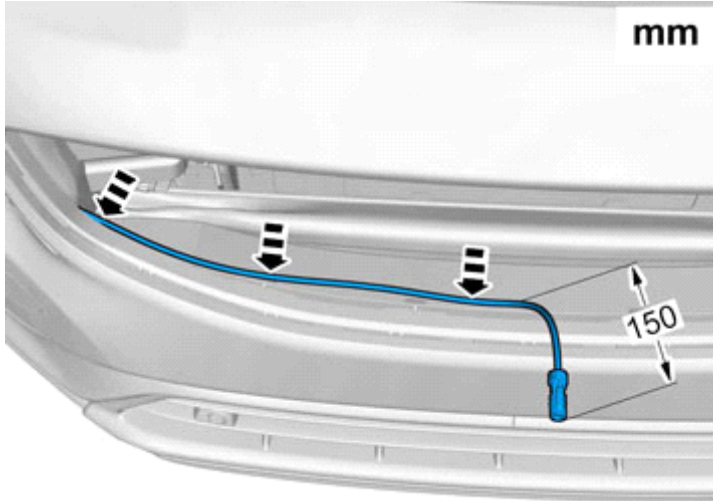
IMG-340737



Installation instructions, accessories

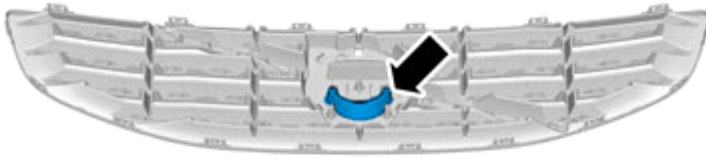
Volvo Car Corporation Gothenburg, Sweden

69



IMG-374363

70

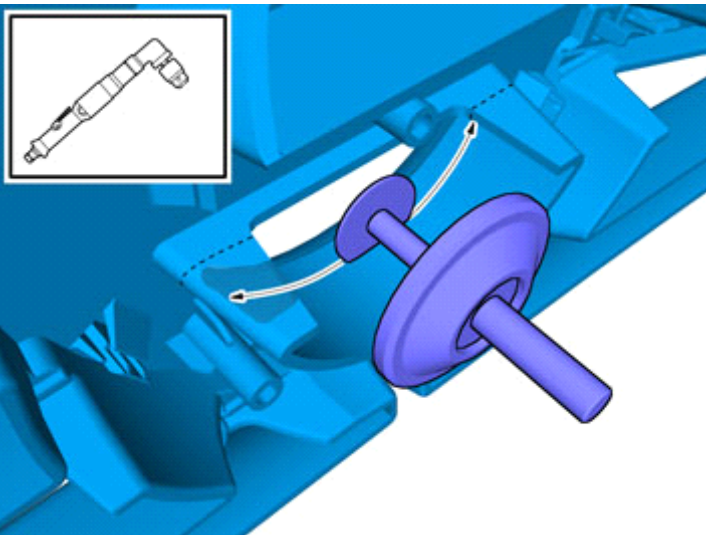


IMG-375758

Note!
Orientation view

Note!
This step is easier with two people.

71



IMG-375748

Use: Angle drill machine

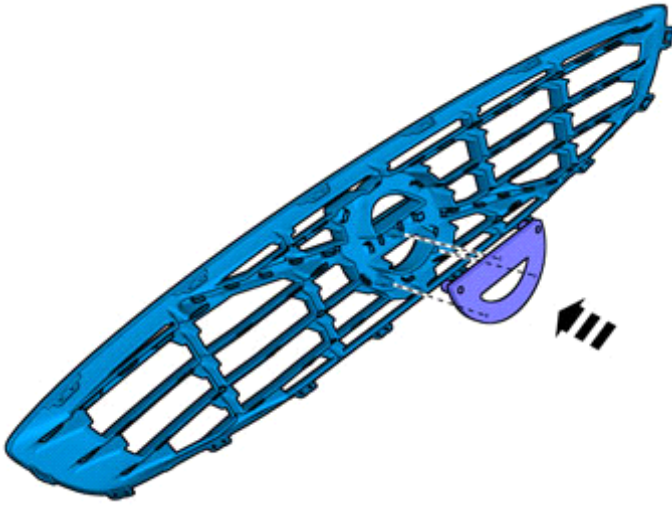
Use special tool: T9997482, Cutting tool



Installation instructions, accessories

Volvo Car Corporation Gothenburg, Sweden

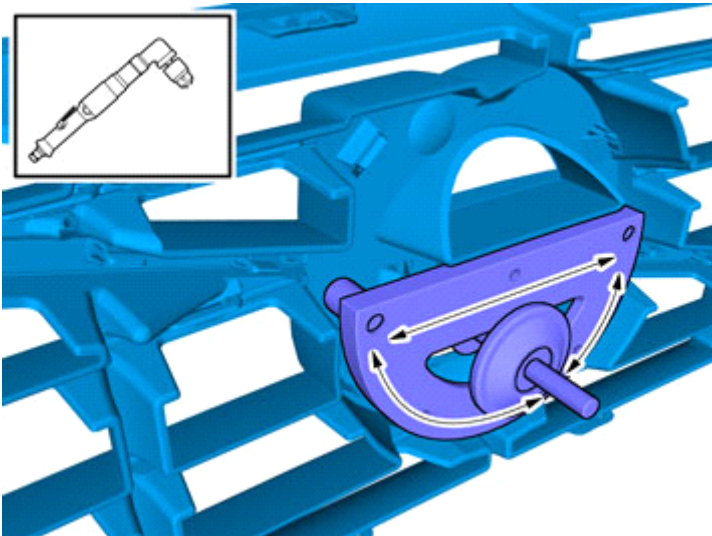
72



Use special tool: T9997482, Cutting tool

IMG-375795

73



Use: Angle drill machine

Use special tool: T9997482, Cutting tool

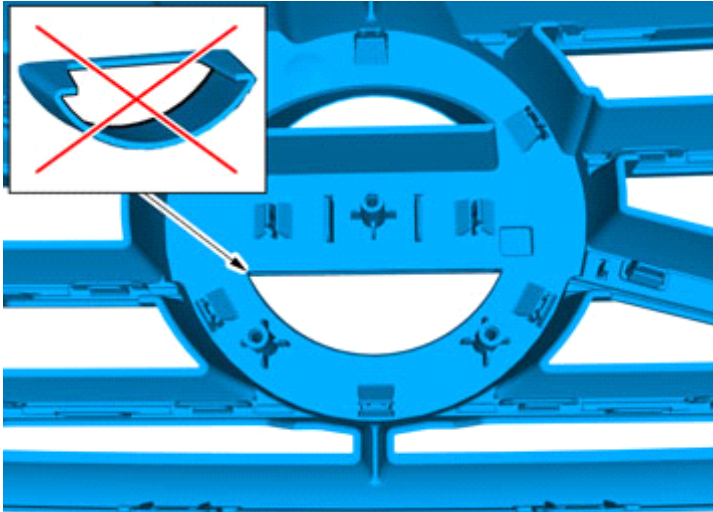
IMG-375753



Installation instructions, accessories

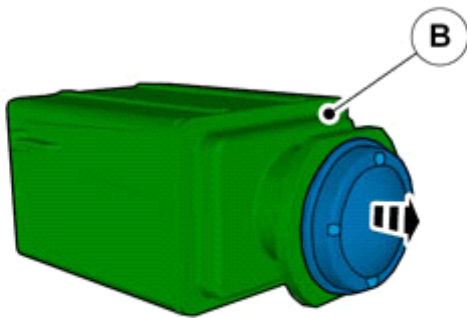
Volvo Car Corporation Gothenburg, Sweden

74



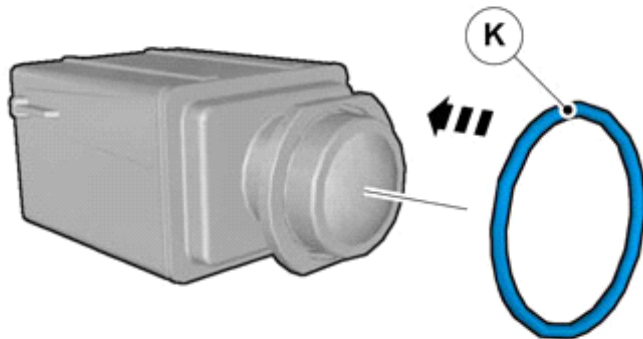
IMG-375800

75



IMG-347781

76



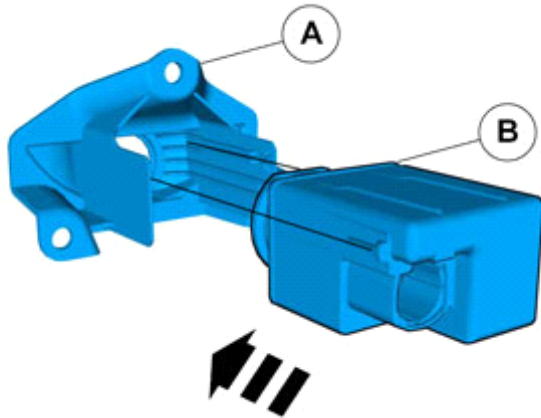
IMG-347786



Installation instructions, accessories

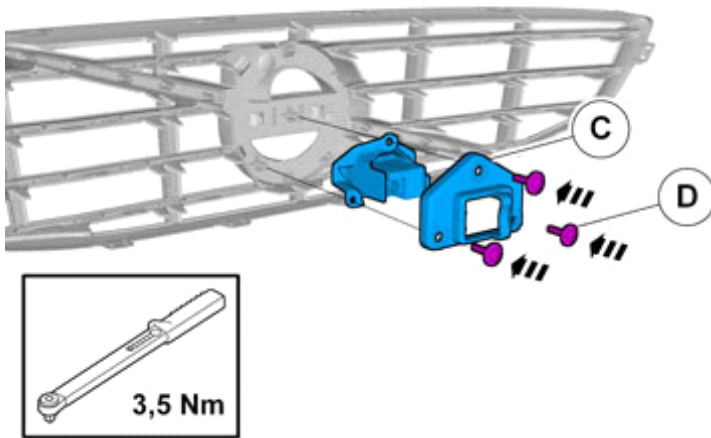
Volvo Car Corporation Gothenburg, Sweden

77



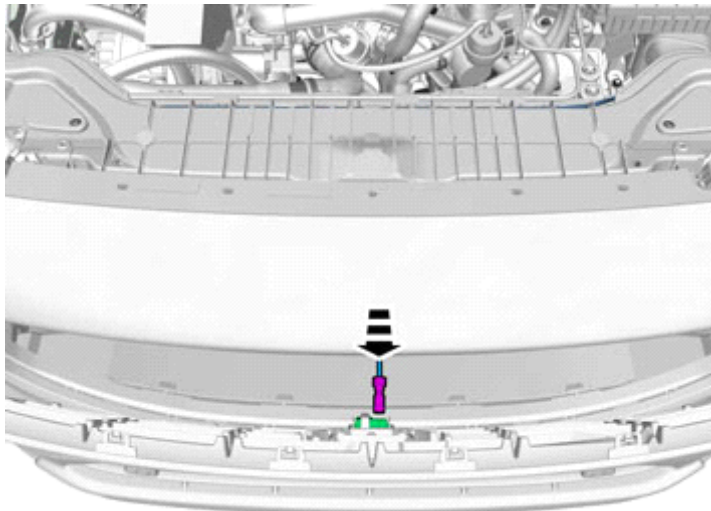
IMG-374396

78



IMG-374391

79



Connect the connector.

IMG-374418



Installation instructions, accessories

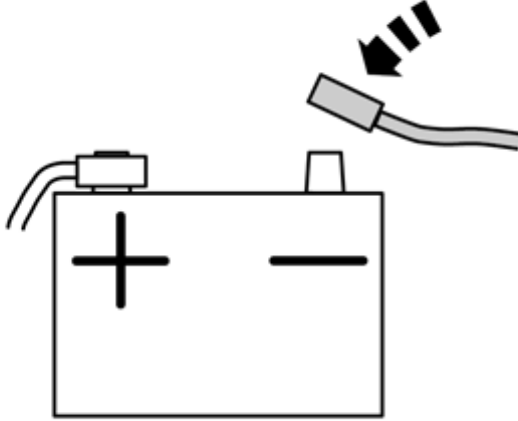
Volvo Car Corporation Gothenburg, Sweden

80

Reinstall the removed parts in reverse order.

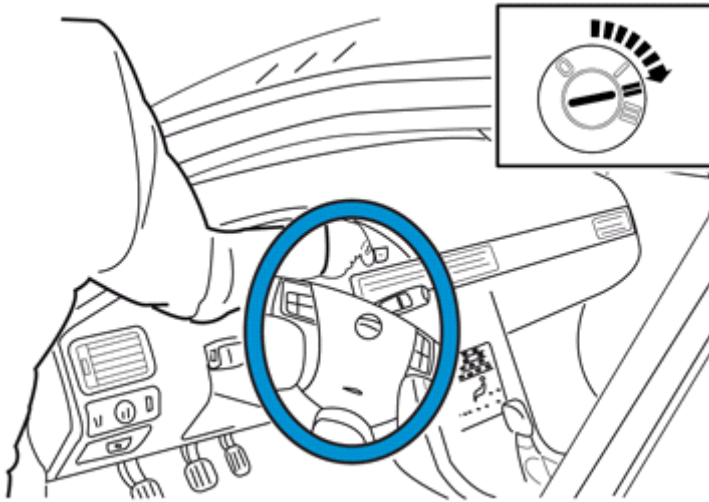
81

Reinstall the battery's negative cable.



IMG-336901

82



IMG-336904

Warning!

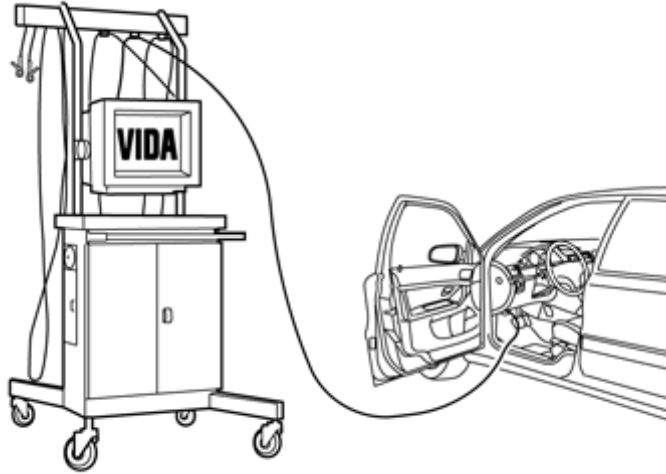
When switching the ignition on for the first time after a battery disconnect and connect, make sure to stand outside the vehicle and only reach into the vehicle keeping clear of the air bag deployment areas.



Installation instructions, accessories

Volvo Car Corporation Gothenburg, Sweden

83



IMG-242268

Download software (application) for the accessory's function according to the service information in VIDA. See VIDA or the accessories catalogue for software part number.

Order and download software according to: 31285245